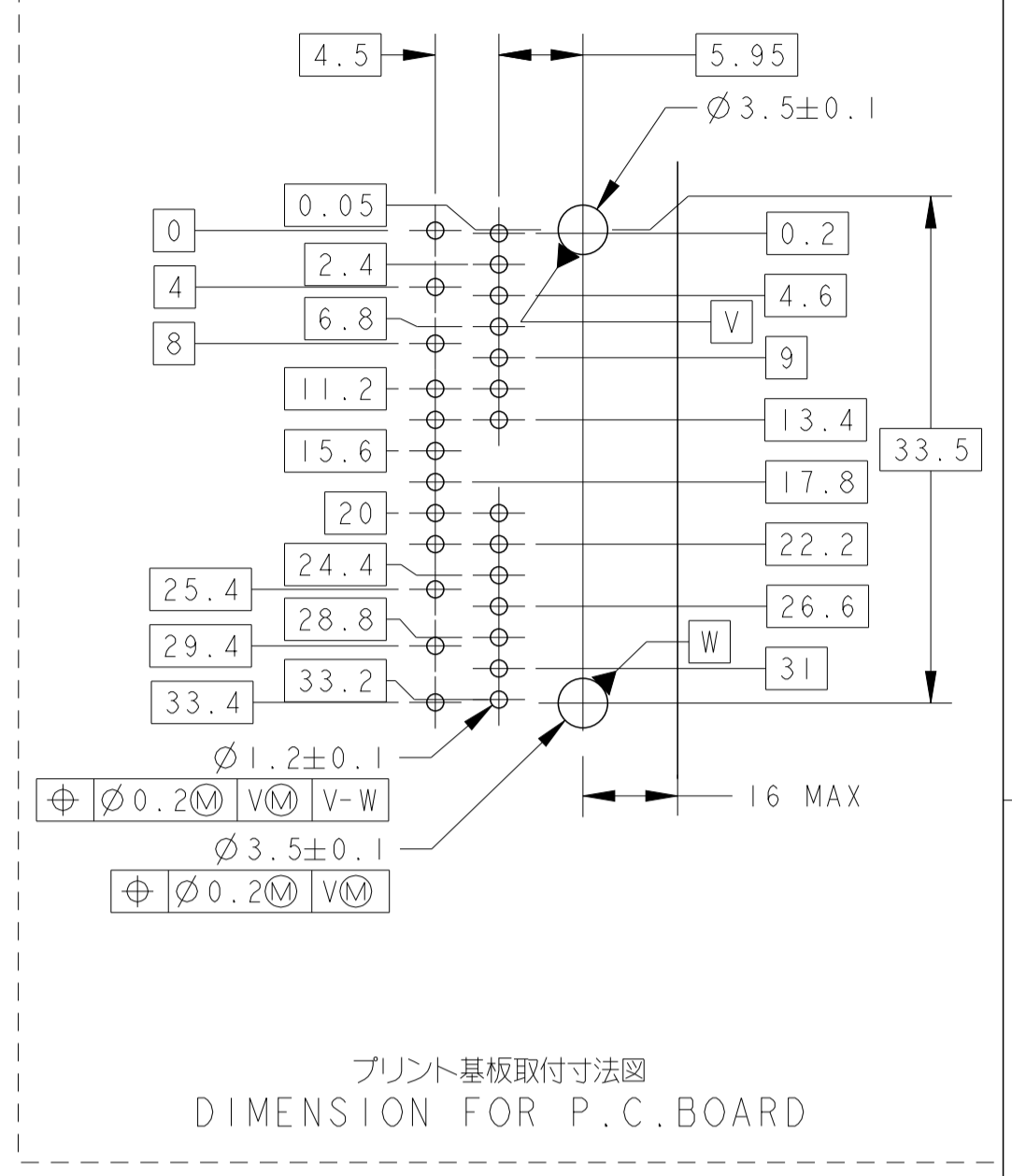
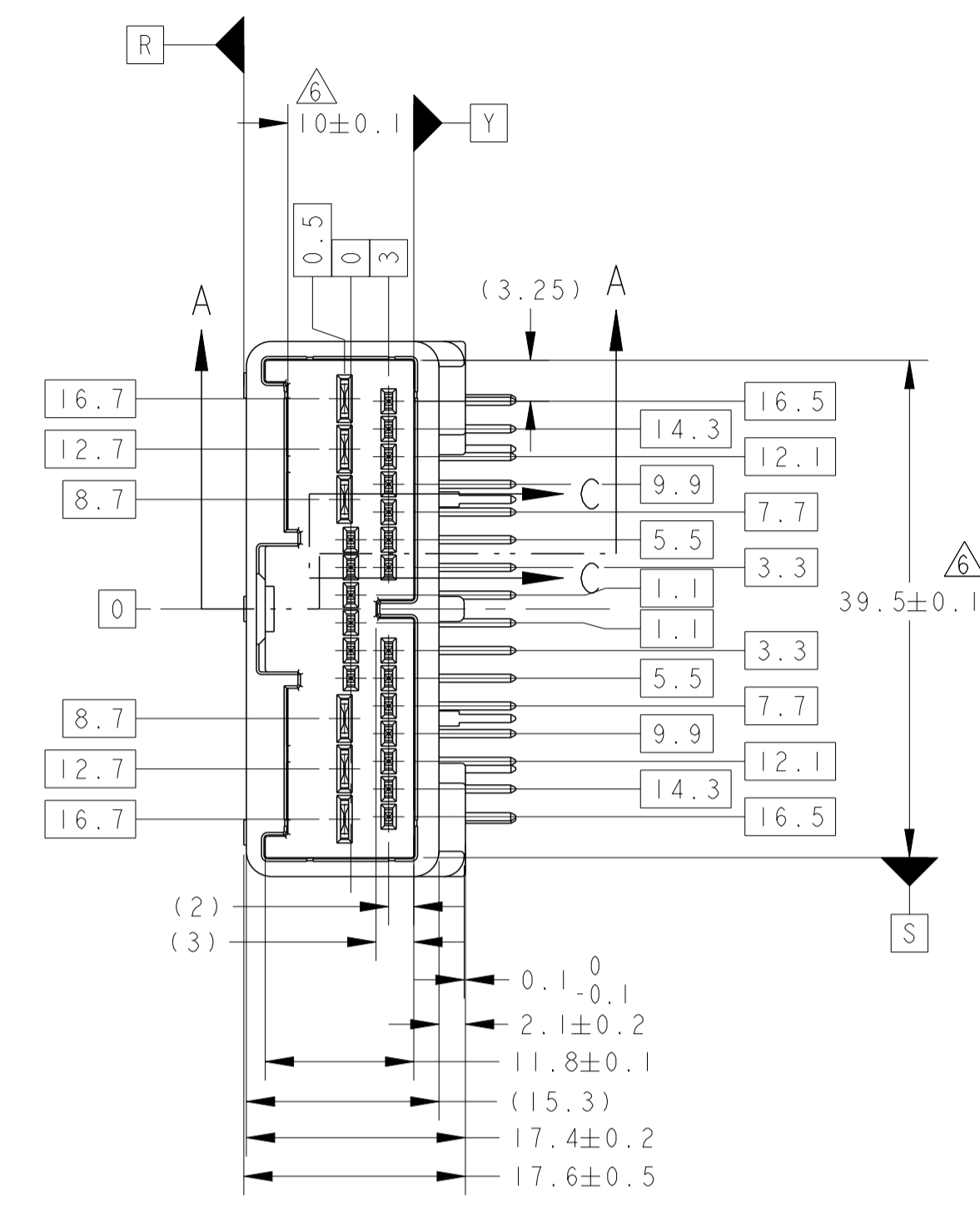
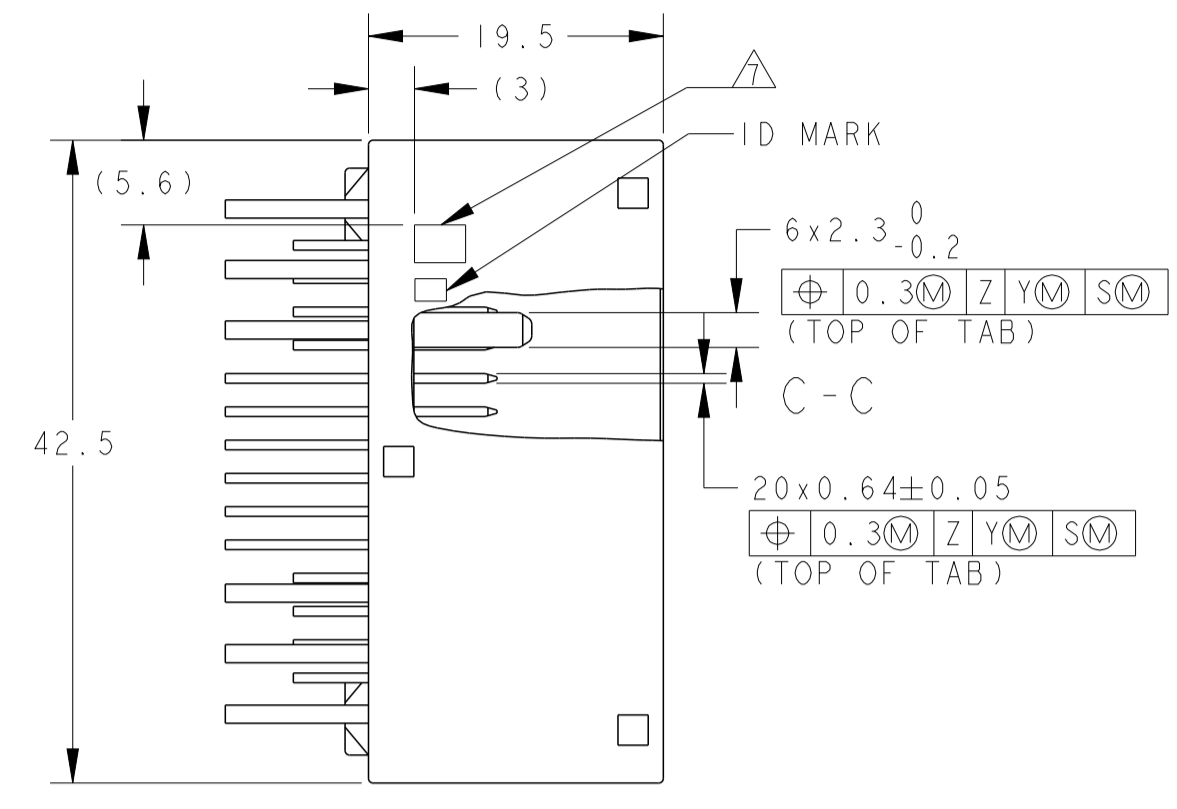
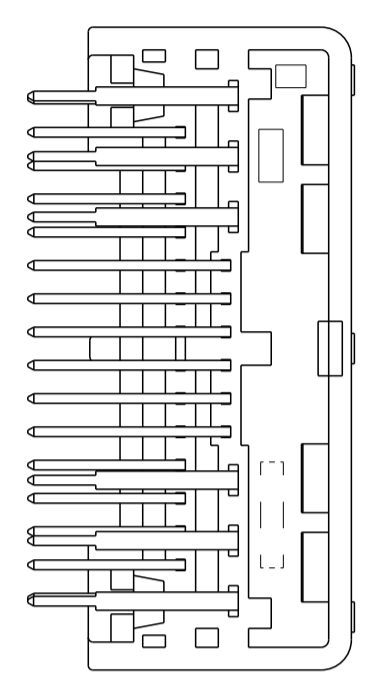
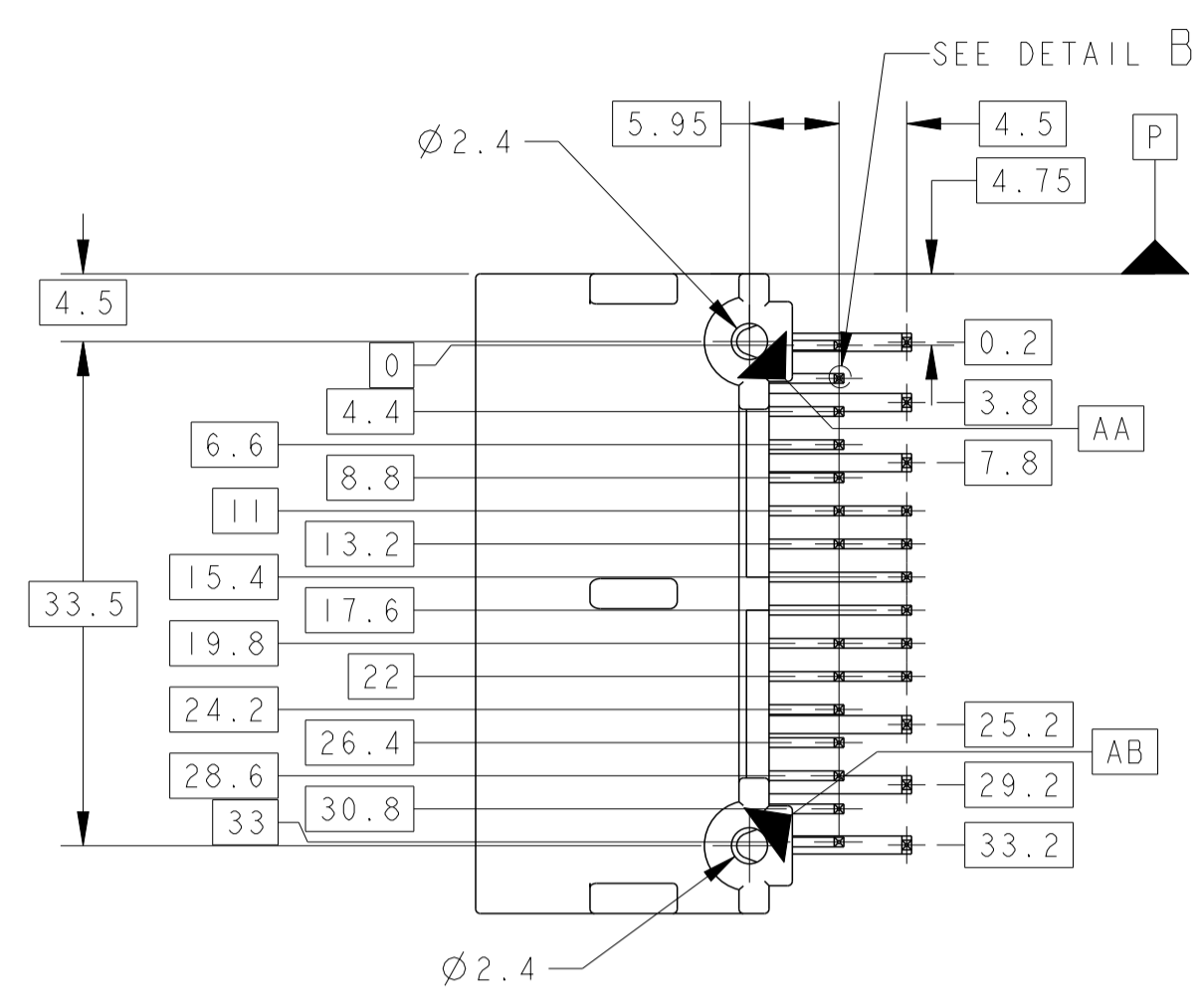
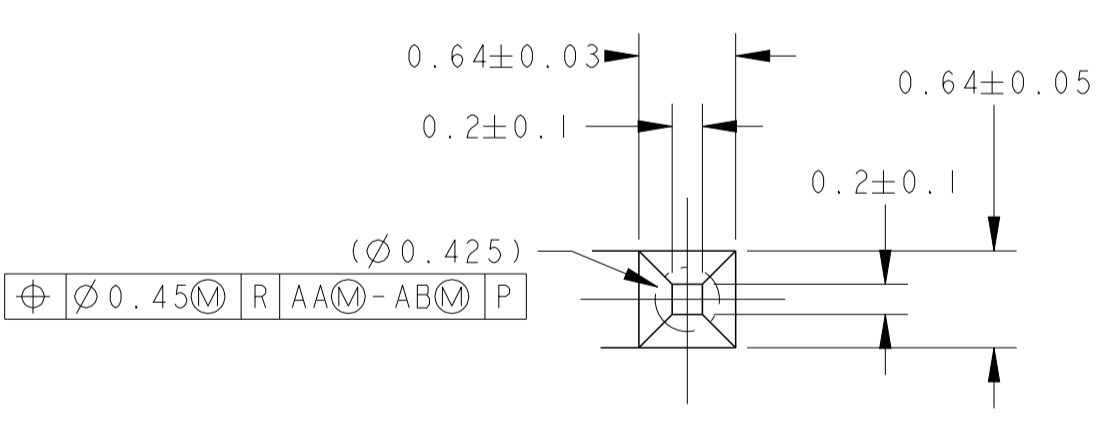
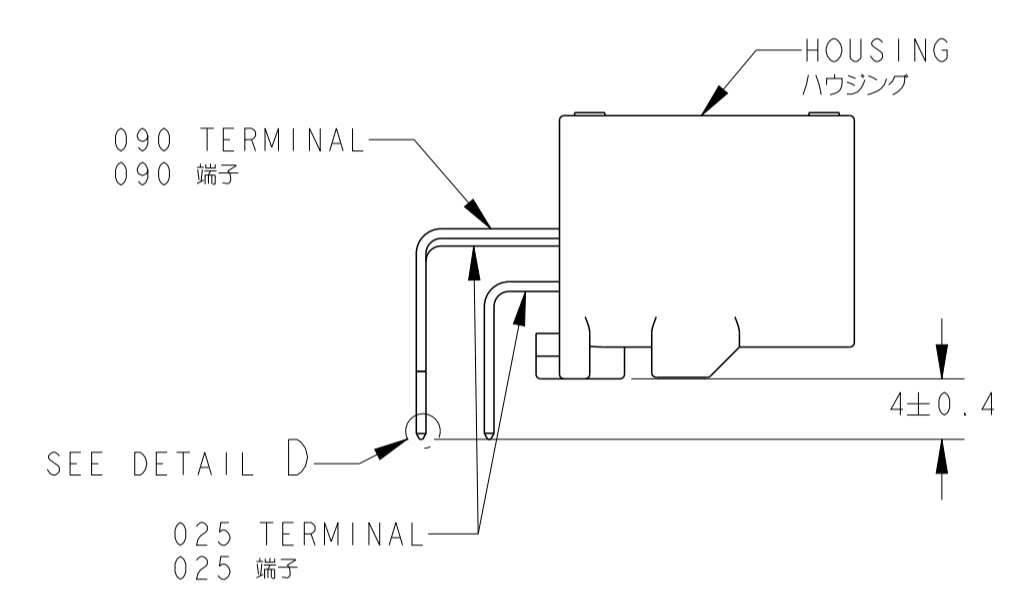
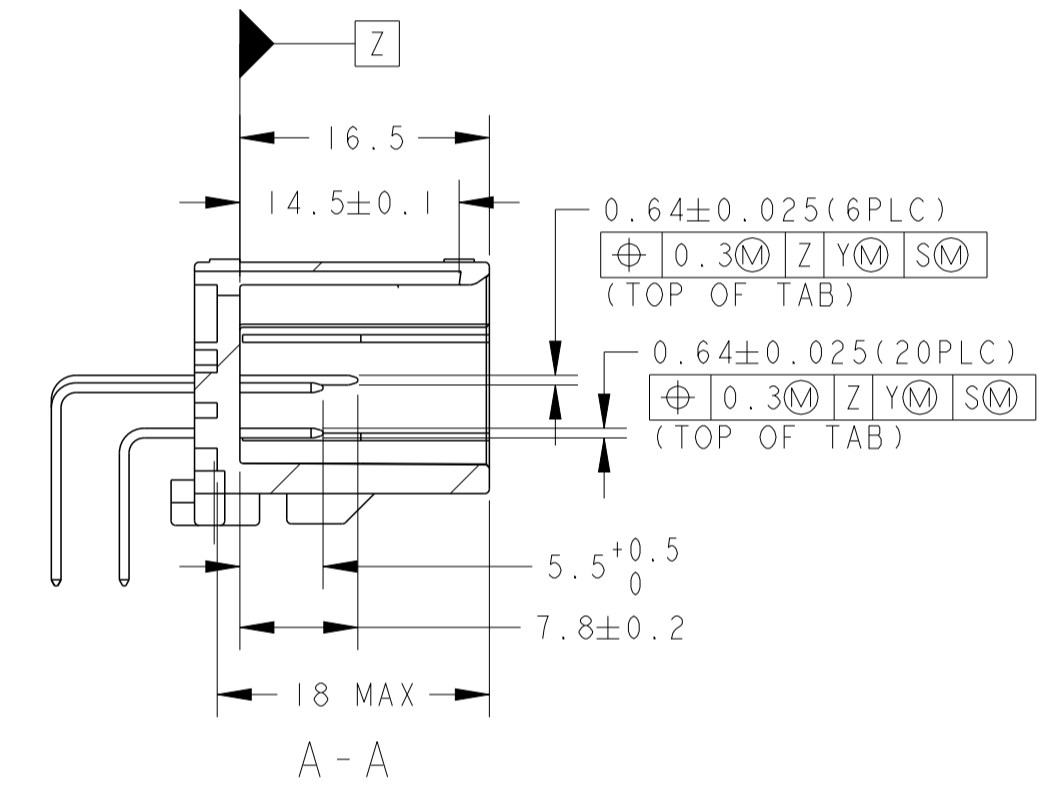


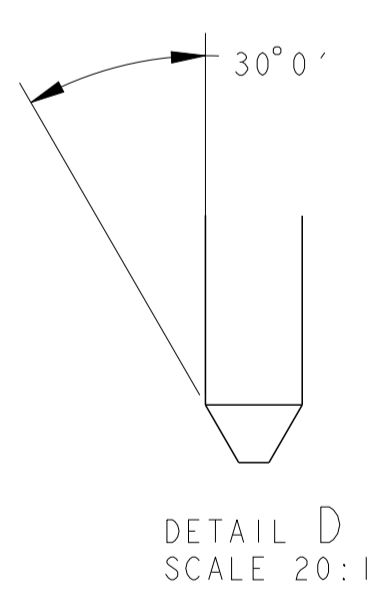
REV. NO.	DATE	BY	CHK	APPV
A1	31OCT07	AY	HY	
A2	11NOV13	YS	TK	
A3	28MAR16	TM	KK	
A4	31OCT2016	KF	HY	



プリント基板取付寸法図
 DIMENSION FOR P.C. BOARD



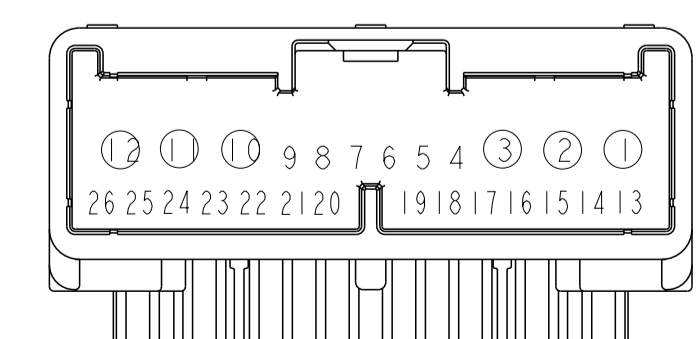
DETAIL B
 SCALE 20:1



DETAIL D
 SCALE 20:1

1. 嵌合相手コネクタ品番: 1376360
 2. 回路番号: FIG. 1 参照
 3. 適用ねじ: JIS B1115, B1122タッピングねじ。なべ2種。呼び径3。長さはTABLE-2参照
 4. ねじ締付トルク(参考): 0.392N・m MAX。但し、管理値は別途規定すること
 5. 本製品の取扱は取扱説明書 No. 411-5927に従うこと
- △. Zより8mmの位置で測定。
 △. コンタクト仕上識別用マーク

1. MATING CONNECTOR PART NO.: 1376360
 2. CIRCUIT NUMBER: SEE FIG. 1
 3. APPLICABLE SCREW: PAN-HEADED, TYPE2 TAPPING SCREW OF NOMINAL DIAMETER 3mm REFER TO JIS B1115, B1122 LENGTH: SEE TABLE-2
 4. FASTENING TORQUE (FOR REFERENCE): 0.392N・m MAX BUT TORQUE FOR OPERATION SHOULD BE PROVIDED RESPECTIVELY
 5. HANDLING OF THIS PART SHOULD FOLLOW INSTRUCTION SHEET No. 411-5927
- △. MEASURED AT 8mm FROM Z
 △. MARKING FOR DESCERMENT OF THE CONTACT FINISH



①: パワー回路用 (FOR POWER CIRCUIT)
 △: FIG. 1 CIRCUIT NUMBERS

TABLE-1

		SEE DWG 1376357-8							2-1376357-0	
		SEE DWG 1376357-8							1-1376357-9	
		SEE DWG 1376357-8							1-1376357-8	
		SEE DWG 1376357-8							1-1376357-7	
		SEE DWG 1376357-8							1-1376357-4	
		SEE DWG 1376357-8							1-1376357-3	
		SEE DWG 1376357-8							1-1376357-2	
		SEE DWG 1376357-8							1-1376357-1	
		SEE DWG 1376357-8							1-1376357-0	
		SEE DWG 1376357-8							1376357-9	
		SEE DWG 1376357-8							1376357-8	
CARTON BOX タンボ-ル箱	PLASTIC TUBE プラスチックチューブ	62	SELECTIVE-TIN (MATTE)	-	1~3 10~12	18~23	-	4~9 13~17, 24~26	NATURAL 自然色	6376357-4
PLASTIC BOX 通い箱	PLASTIC TUBE プラスチックチューブ	62	SELECTIVE-TIN (MATTE)	-	1~3 10~12	18~23	-	4~9 13~17, 24~26	NATURAL 自然色	6376357-2
CARTON BOX タンボ-ル箱	PLASTIC TUBE プラスチックチューブ	7	SELECTIVE-TIN (MATTE)	-	1~3 10~12	4~9 18~23	-	13~17, 24~26	NATURAL 自然色	1-1376357-6
PLASTIC BOX 通い箱	PLASTIC TUBE プラスチックチューブ	7	SELECTIVE-TIN (MATTE)	-	1~3 10~12	4~9 18~23	-	13~17, 24~26	NATURAL 自然色	1-1376357-5
CARTON BOX タンボ-ル箱	PLASTIC TUBE プラスチックチューブ	2	PRE-TIN TIN-LEAD	1~3 10~12	-	18~23	4~9 13~17, 24~26	-	NATURAL 自然色	1376357-4
CARTON BOX タンボ-ル箱	PLASTIC TUBE プラスチックチューブ	1	PRE-TIN	1~3 10~12	-	-	4~9 13~26	-	NATURAL 自然色	1376357-3
PLASTIC BOX 通い箱	PLASTIC TUBE プラスチックチューブ	1	PRE-TIN	1~3 10~12	-	-	4~9 13~26	-	NATURAL 自然色	1376357-1
OUTER 分装	INNER 内装									
PACKING STYLE 梱包形態		MARKING マーキング		SOLDERING SIDE 半田付け側		CONTACT SIDE 接触面側		COLOR 色		PART NUMBER 型番
				PRE-TIN		SELECTIVE-TIN		SELECTIVE GOLD		
				△ 09011 TAB POWER		△ 025 TAB SIGNAL				
				CONTACT FINISH 端子仕上げ						

TABLE-2

プリント基板厚 (mm) THICKNESS OF PCB (mm)	1.2	1.6
固定用ねじ節下長さ (mm) NOMINAL LENGTH OF SCREW (mm)	5	6

THIS DRAWING IS A CONTROLLED DOCUMENT.

DIMENSIONS: 単位: mm

TOLERANCES UNLESS OTHERWISE SPECIFIED: 公差: ±0.3

MATERIAL: PBT:BRASS

FINISH: SEE TABLE-1

OWN: R. NAGAI, T. HAYASHI, N. SAI

DATE: 14OCT2000, 14OCT2000, 14OCT2000

PRODUCT SPEC: 108-5667

APPLICATION SPEC: 114-5250

WEIGHT: 9.93 g

CUSTOMER DRAWING

SIZE: A1

CAGE CODE: 00779

DRAWING NO: 1376357

RESTRICTED TO: -

SCALE: 2:1

SHEET: 1 OF 2

REV: A4

TE Connectivity

025/090 SERIES CONNECTOR
 26POSITION CAP HOUSING ASSEMBLY

4

3

2

1

THIS DRAWING IS UNPUBLISHED.

RELEASED FOR PUBLICATION

NOV. 2013

LOC

DIST

REVISIONS

© COPYRIGHT 2013

ALL RIGHTS RESERVED.

J

--

P

LTR

DESCRIPTION



DATE

DWN

APVD

SEE 1 OF 2

CAP ASSEMBLY AND PLUG ASSEMBLY ENGAGEMENT DRAWING
 キャップアッセンブリー & プラグアッセンブリー 嵌合図

THIS DRAWING IS A CONTROLLED DOCUMENT.		DWN R. NAGAI	14OCT2000	 TE Connectivity			
DIMENSIONS: mm		CHK T. HAYASHI	14OCT2000				
		APVD N. SAI	14OCT2000				
		NAME 025/090 SERIES CONNECTOR 26POSITION CAP HOUSING ASSEMBLY					
TOLERANCES UNLESS OTHERWISE SPECIFIED: 一般公差 = ± 0.3		PRODUCT SPEC SEE 1 OF 2		SIZE A3	CAGE CODE 00779	DRAWING NO G-1376357	RESTRICTED TO --
MATERIAL SEE 1 OF 2		FINISH SEE 1 OF 2		APPLICATION SPEC SEE 1 OF 2		WEIGHT SEE 1 OF 2	
		CUSTOMER DRAWING		SCALE 2:1	SHEET 2 OF 2	REV A4	

1470-19 (3/11)